



* All images are for illustrative purposes only.

OUTDOOR LG LED SIGNAGE

GSCA Versatile Series



Fast Installation



Easy Maintenance



Two Cabinet Options



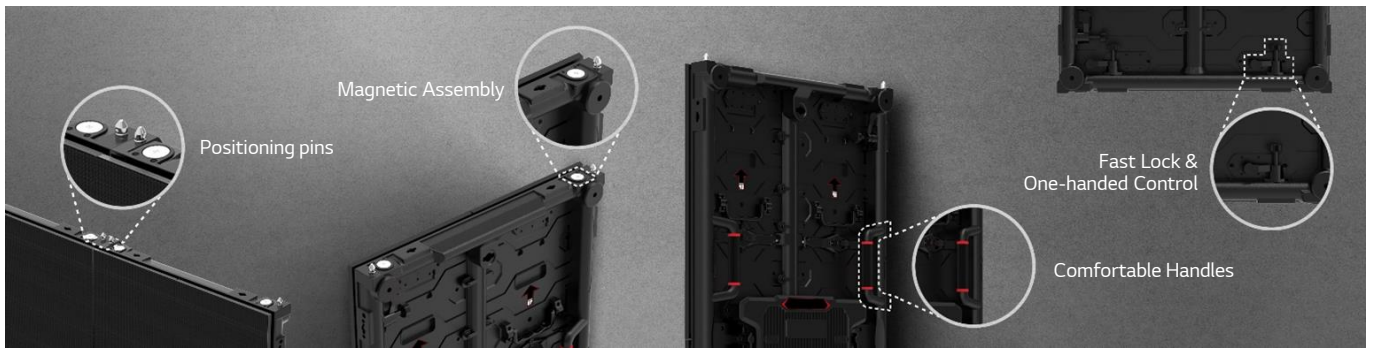
90° Corner Design Available



Front or Rear Serviceability

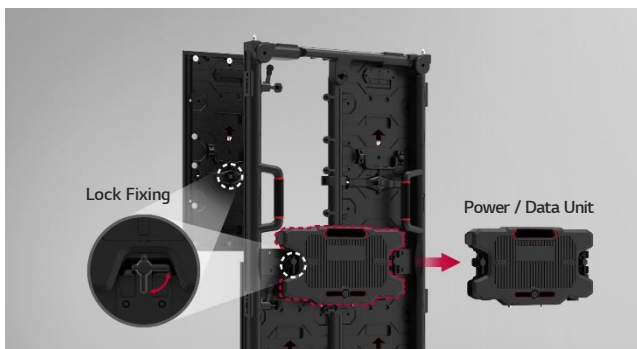


IP Rated Weatherproof Design



Fast Installation

Various factors including magnets on the top and bottom, positioning pins, handles and fast locks help installers easily set up and dismantle the LED screens without additional tools.



Easy Maintenance

The GSCA series applied a simple Lock Fixing method which requires no additional tools, making it easier to replace LED modules or power/data units. It saves cost and time for maintenance.



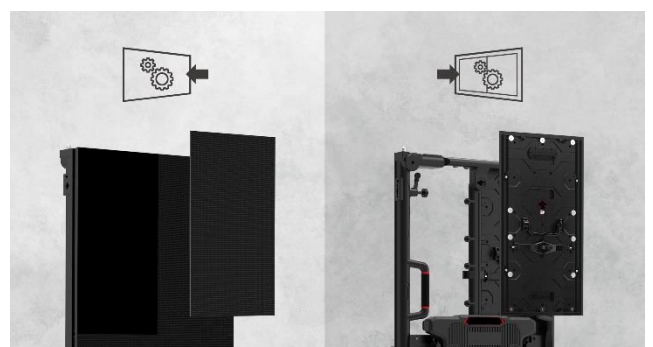
Two Cabinet Options

The GSCA series offers two sizes of cabinets enabling a screen size configuration that fits perfectly with customer's demands.



IP Rated Weatherproof & 90° Corner Design

The cabinet is IP65 certified, allowing stable operation unaffected by weather and harsh outdoor environments. Also, if you add a 90° corner option, the GSCA series can deliver flawless content even when installed on the corners.



Front or Rear Serviceability

The product offers either front access or rear access, allowing customers to choose installation options according to their environment and minimizes limitations in installation and maintenance.

PRODUCT INFORMATION

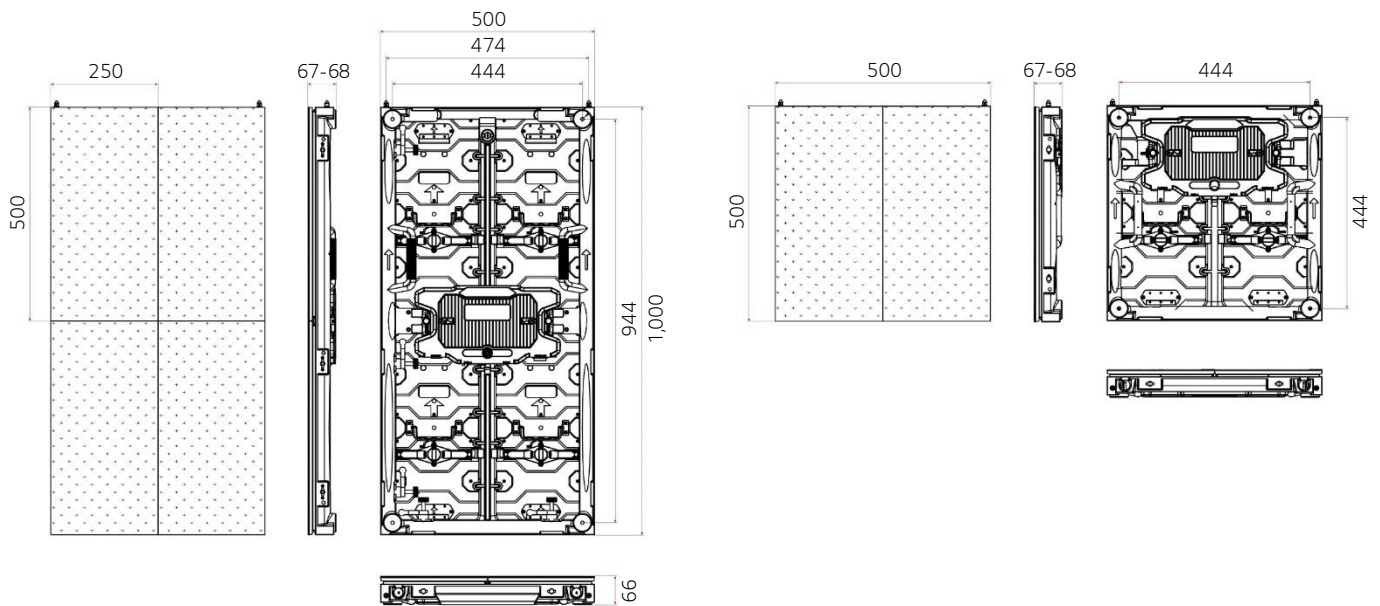


GSCA Series

Pixel Pitch	3.91 / 4.63 mm
Brightness	5,000 nit
Refresh Rate	3,840 Hz
Serviceability	Front or Rear (One Option Only)
IP Rating	IP65

DIMENSION

(unit: mm)



SPECIFICATIONS

Panel	Model Name	GSCA039-GN	GSCA039-GN2	GSCA046-GN	GSCA046-GN2
Physical Parameters	Pixel Configuration	3 in 1 SMD	3 in 1 SMD	3 in 1 SMD	3 in 1 SMD
	Pixel Pitch (mm)	3.91	3.91	4.63	4.63
	Module Resolution (W × H)	64 × 128	64 × 128	54 × 108	54 × 108
	Module Dimensions (W × H, mm)	250 × 500	250 × 500	250 × 500	250 × 500
	Weight per Module (kg)	1.40	1.40	1.40	1.40
	No. of Modules per Cabinet (W × H)	2 × 2	2 × 1	2 × 2	2 × 1
	Cabinet Resolution (W × H)	128 × 256	128 × 128	108 × 216	108 × 108
	Cabinet Dimensions (W × H × D, mm)	500 × 1,000 × 67	500 × 500 × 67	500 × 1,000 × 68	500 × 500 × 68
	Cabinet Surface Area (m ²)	0.500	0.250	0.500	0.250
	Weight per Cabinet (kg/Cabinet)	12.5	7.9	12.7	8.1
	Weight per Square Meter (kg/m ²)	24.9	31.7	25.4	32.2
	Physical Pixel Density (pixels/m ²)	65,536	65,536	46,656	46,656
	Flatness of Cabinet (mm)	±0.3	±0.3	±0.3	±0.3
	Cabinet Material	Die Casting Magnesium Alloy	Die Casting Magnesium Alloy	Die Casting Magnesium Alloy	Die Casting Magnesium Alloy
Service Access	Front or Rear (One Option Only)	Front or Rear (One Option Only)	Front or Rear (One Option Only)	Front or Rear (One Option Only)	
Optical Specifications	Brightness	5,000 nit	5,000 nit	5,000 nit	5,000 nit
	Color Temperature	6,500	6,500	6,500	6,500
	Visual Viewing Angle (H × V)	160 × 155	160 × 155	160 × 135	160 × 135
	Brightness Uniformity	97%	97%	97%	97%
	Contrast Uniformity	±0.003 Cx,Cy	±0.003 Cx,Cy	±0.003 Cx,Cy	±0.003 Cx,Cy
	Contrast Ratio	6,000	6,000	11,000	11,000
	Processing Depth (bit)	14	14	14	14
Electrical Specifications	Power Consumption (W/Cabinet, Max.)	300	150	300	150
	Power Consumption (W/Cabinet, Avg.)	100	50	100	50
	Power Consumption (W/m ² , Max.)	600	600	600	600
	Power Supply (V)	100 to 240	100 to 240	100 to 240	100 to 240
	Frame Rate (Hz)	50 / 60	50 / 60	50 / 60	50 / 60
	Refresh Rate (Hz)	3,840	3,840	3,840	3,840
Operation Specifications	Lifetime (Hours to Half Brightness)	100,000	100,000	100,000	100,000
	Operating Temperature	-20°C to +45°C	-20°C to +45°C	-20°C to +45°C	-20°C to +45°C
	Operating Humidity	10-99% RH	10-99% RH	10-99% RH	10-99% RH
	IP Rating (Front / Rear)	IP65	IP65	IP65	IP65
Certification		CE, FCC, ETL	CE, FCC, ETL	CE, FCC, ETL	CE, FCC, ETL
Environment		RoHS	RoHS	RoHS	RoHS

Controller	Model Name	LCIN006	LCIN008 (4K)
Input	Interface	HDMI / DVI	HDMI / DVI / DP
	Resolution	1,920 x 1,200 @60Hz	3,840 x 2,160 @60Hz
	EDID Custom	Yes	Yes
Output	Signal	Gigabit Ethernet (4 ea)	Gigabit Ethernet (16 ea)
	Fiber Optical	X	4 ea
Control	RJ45	X	O
	USB	O	O
Electrical	Power Consumption (W)	16	30
	Power Supply (V)	AC 100-240 V	AC 100-240 V
Mechanical	Size (mm)	482.6 (W) × 250 (D) × 44.45 (H) → EIA Standard Rack (1U)	482.6 (W) × 372 (D) × 96 (H) → EIA Standard Rack (3U)
	Weight (kg)	3	4.6
Feature	Signal Redundancy	Yes	Yes
	HDR10	X	O



Download
LG C-Display+
Mobile App
Google Play Store

www.lg.com/global/business/information-display
www.youtube.com/c/LGCommercialDisplay
www.facebook.com/LGInformationDisplay
www.linkedin.com/company/lginformationdisplay
twitter.com/LG_ID_HQ

LG may make changes to specifications and product descriptions without notice. Copyright © 2020 LG Electronics Inc. All rights reserved. "LG Life's Good" is a registered trademark of LG Corp. The names of products and brands mentioned here may be the trademarks of their respective owners.

